

NEW in Dec. 2006 -
Aluminum
Test Terminals!
Up to 55% lighter for your
improved safety
& convenience!



TEST TERMINALS

For Faster, Safer & More Cost Effective Field Dielectric Testing!



FASTER

- No need to physically remove the power bus during testing.
- Simply loosen a total of **8** bolts on the terminal and the equipment is ready to test.

SAFER

- Improves worker safety by reducing boom & bucket truck time by up to **60%** for the typical maintenance interval.
- Eliminates the risk of equipment damage associated with non-test terminal testing procedures.



COST EFFECTIVE

- Regular testing allows you to extend the service life of your equipment while lessening the risk of equipment failure, lost revenue and costly repair & replacement.
- Testing can often be accomplished without the expense of a boom or bucket truck, or extra personnel.
- Reduces equipment down-time associated with testing.

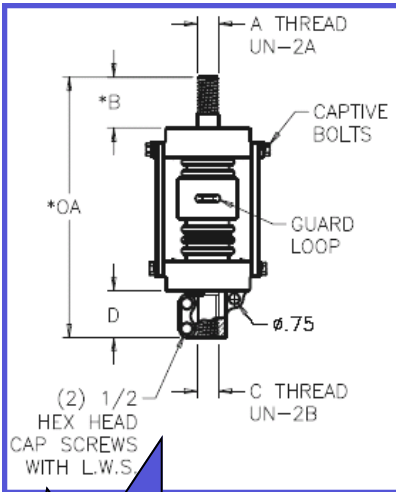
Ask us how you may be able to save more than **\$1,000,000** over the life of a typical substation!*



For more information about PCORE® Test Terminals, contact your local representative, call our factory at 585-768-1200, or visit:

www.pcoreelectric.com

*Based on the Doble Engineering recommended test schedule



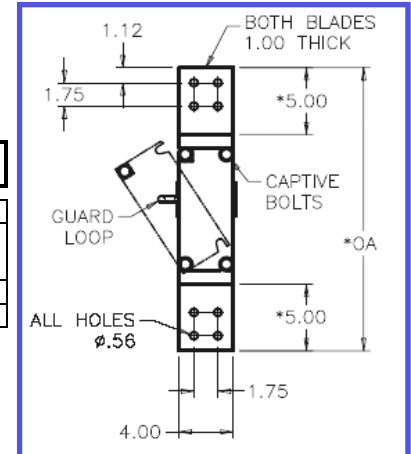
Type 1—Threaded Connectors, Top & Bottom

Test Terminal Catalog No.	Current Rating (Amps)	Type	OA (Overall Length)	Top Terminal				Bottom Terminal			
				Type	No. of Holes	A (Thread)	B (Min. Usable Thread)	Type	No. of Holes	C (Thread)	D (Min. Usable Thread)
63032-70	1200	1	17.63	MALE	---	1 1/8-12	2.13	FEMALE	---	1 1/8-12	3.00
63033-70	2000	1	18.00	MALE	---	1 1/2-12	2.13	FEMALE	---	1 1/2-12	3.00
63034-70	2000	1	18.00	MALE	---	2-12	2.50	FEMALE	---	2-12	3.00
63035-70	3000	1	19.50	MALE	---	3-12	3.50	FEMALE	---	3-12	3.50
63051-70	2000	1	20.00	MALE	---	2-12	4.50	FEMALE	---	2-12	3.00
63054-70	2000	1	18.00	MALE	---	2-12	2.50	FEMALE	---	1 1/2-12	3.00
63061-70	1200	1	17.63	MALE	---	1 1/8-12	2.13	FEMALE	---	1 1/2-12	3.00
63073-70	4500	1	22.50	MALE	---	4-12	4.50	FEMALE	---	4-12	4.50
64000-70	1200	1	18.00	MALE	---	1 1/2-14	2.13	FEMALE	---	1 1/2-14	3.00
64036-70	2000	1	17.50	MALE	---	2-12	2.50	FEMALE	---	2-12	3.00
64049-70	3000	1	19.50	MALE	---	2 1/2-12	3.50	FEMALE	---	2 1/2-12	3.50
64055-70	2000	1	20.00	MALE	---	1 3/4-12	4.50	FEMALE	---	1 3/4-12	3.00
64062-70	4000	1	22.75	MALE	---	3-12	5.00	FEMALE	---	3-12	4.50

Test Terminal Selection Guide

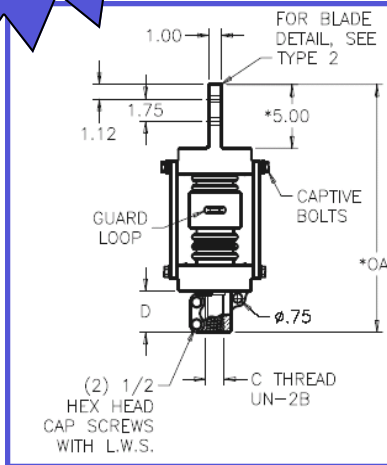
Type 2—Blade Connectors, Top & Bottom

Test Terminal Catalog No.	Current Rating (Amps)	Type	OA (Overall Length)	Top Terminal				Bottom Terminal			
				Type	No. of Holes	A (Thread)	B (Min. Usable Thread)	Type	No. of Holes	C (Thread)	D (Min. Usable Thread)
63037-70	3000	2	21.25	BLADE	4	---	---	BLADE	4	---	---
63037-A-70	2500	2	21.44	BLADE	4	---	---	BLADE	4	---	---



Type 3—Blade Connector Top, Threaded Connector Bottom

Test Terminal Catalog No.	Current Rating (Amps)	Type	OA (Overall Length)	Top Terminal				Bottom Terminal			
				Type	No. of Holes	A (Thread)	B (Min. Usable Thread)	Type	No. of Holes	C (Thread)	D (Min. Usable Thread)
63040-70	1600	3	19.50	BLADE	4	---	---	FEMALE	---	1 1/4-12	3.00
63042-70	1200	3	19.50	BLADE	4	---	---	FEMALE	---	1 1/8-12	3.00
63043-70	2000	3	19.50	BLADE	4	---	---	FEMALE	---	1 1/2-14	3.00
63055-70	3000	3	19.50	BLADE	4	---	---	FEMALE	---	2-12	3.00
63055-A-70	2000	3	19.69	BLADE	4	---	---	FEMALE	---	2-12	3.00
63056-70	2000	3	19.50	BLADE	4	---	---	FEMALE	---	1 1/2-12	3.00
63056-A-70	2000	3	19.69	BLADE	4	---	---	FEMALE	---	1 1/2-12	3.00
63066-70	3000	3	20.00	BLADE	4	---	---	FEMALE	---	2 1/2-12	3.50
63071-70	3000	3	20.00	BLADE	4	---	---	FEMALE	---	3-12	3.50
63071-A-70	2500	3	20.19	BLADE	4	---	---	FEMALE	---	3-12	3.50
63099-70	3000	3	20.00	BLADE	4	---	---	FEMALE	---	2 1/4-12	3.50



Notes:

- 1) All Dimensions on Table are in Inches.
- 2) Additional Test Terminal Types Available - Contact PCORE for Details.
- 3) PCORE Test Terminals with an "A" in the catalog number represent designs using aluminum hardware (top and bottom connectors).
- 4) For 345 kV, one corona ring is recommended and specified by adding the suffix "E" to the catalog number. Ex. B-63037-E-70.
- 5) For 500 kV, two corona rings are recommended and specified by adding the suffix "EE" to the catalog number. Ex. B-63037-EE-70.